

# HUILIDE 汇利得



苏州汇利得机械有限公司

地址：苏州市相城区北桥街道北灵路555号 邮编：215144

电话：+86-0512-80813856 传真：+86-0512 80813855

手机：+86-150 0613 9272 邮箱：david.su@hldmachine.com

邮编：215144 网址：www.hldmachine.com

David Su

Suzhou Huilide Machine Co.,Ltd.

Add: No.555,Beiling Rd.,Beiqiao Suzhou, Jiangsu, China,215144

Tel: +86-0512-80813856 Fax: +86-512 80813855

Mobile : +86-150 0613 9272

E-mail: david.su@hldmachine.com

Web:www.hldmachine.com

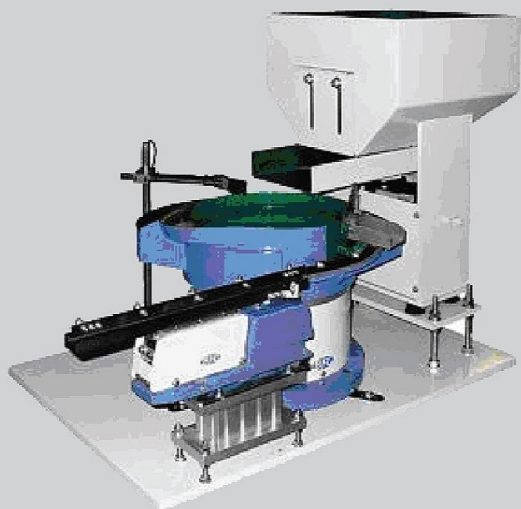
## 1、振动盘

### Vibratory Bowl Feeder

振动盘是一种自动组装或自动加工机械的辅助送料设备。它能把各种产品有序地排列出来，配合自动组装设备将产品各个部位组装起来成为完整的一个产品，或者配合自动加工机械完成对工件的加工。

振动盘主要由料斗、底盘、控制器、直线送料器等配套组成。按激励方式可分为电磁式和压电式。振动盘除满足产品排序外还可用于分选、检测、计数包装，是一种现代化高科技产品。

**Vibratory bowl feeders are used in many different industries. The fastener, food, electronics, ordinance, automotive, packaging, pharmaceutical and plastic industries are just some of those we serve. Bolts, tablets, connectors, capacitors and bullet casings, as well as parts that are small or large, light or heavy, simple or intricate are handled with ease.**



**振动盘系统**

**Vibratory bowl feeder,  
linear feeder and hopper**



**振动盘食品方面的应用**

**Bottle cap bowl feeder**



**振动盘医药方面的应用**

**Pharmaceutical bowl feeder**



**压电式铝振动盘(CNC)**

**Piezoelectric bowl feeder  
with aluminum casting**

## 振动底盘

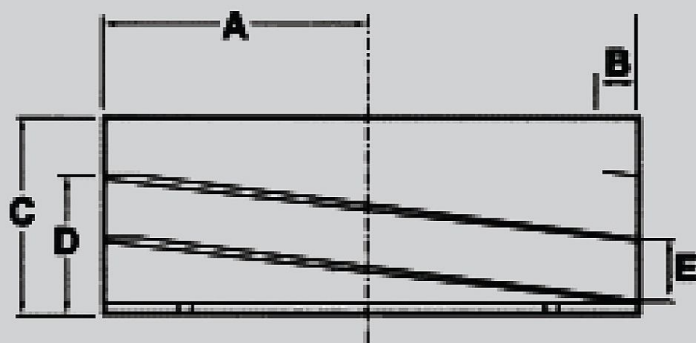
### Electromagnetic Feeder Drives

振动盘底盘的分类：底盘有正拉底盘、侧拉底盘、压电式底盘、精密底盘四种。

电源：220V/50Hz/60Hz (AC), 110V/50Hz/60Hz (AC).

Vibratory bowl feeder drive is taking productivity and versatility in vibratory parts feeding to new heights. And our drive is a brilliant balance of power and control and is designed to accommodate a total range of parts feeding needs. Our feeder drive includes electromagnetic and pizeoelectric.

Power: 220V/50Hz/60Hz(AC),110V/50Hz/60Hz(AC).

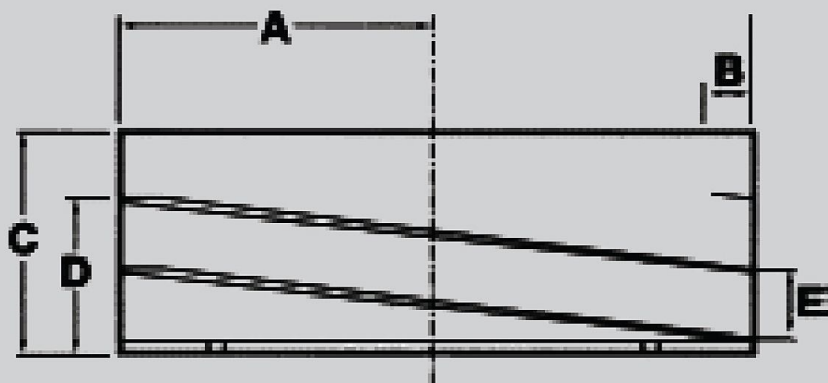


型号 Model	A (mm)	B (mm)	重量 Weight(kg)	盘直径 Bowl Dia.(mm)
BF-00	160	120	8	160-200
BF-01	200	140	10	200-230
BF-02	250	210	30	250-290
BF-03	300	243	40	300-370
BF-04	320	300	60	350-420
BF-05	380	300	70	400-520
BF-06	447	300	110	500-700
BF-07	500	300	150	600-800

## 筒形盘

## Cylindrical Bowls

These bowls provide a constant feed of components. They are ideal for small components, but have restricted capacity for some applications.



型号 Model	CB-1	CB-2	CB-3	CB-4	CB-5	CB-6	CB-7	CB-8	CB-9	CB-10
尺寸 Dimension										
A(mm)	84	90	125	175	254	200	220	381	335	335
B(mm)	12	12	15	30	15	25	30	75	50	50
C(mm)	70	80	110	130	180	160	160	250	180	195
D(mm)	64	65	73	120	107	107	141	167	156	167
E(mm)	22	22	120	33	45	45	70	82	70	70
容量 Capacity(ltrs)	0.5	0.8	1.2	1.6	2	1.8	7	23	20	20

## 锥形盘

## Conical Bowls

A conical bowl provides a higher capacity and with an increase in radius, assists with the presingulation of components. Where necessary, the standard track width, track pitch and the amount of tracks can be adapted to suit the application. The closed track type is particularly suitable for pharmaceutical applications.



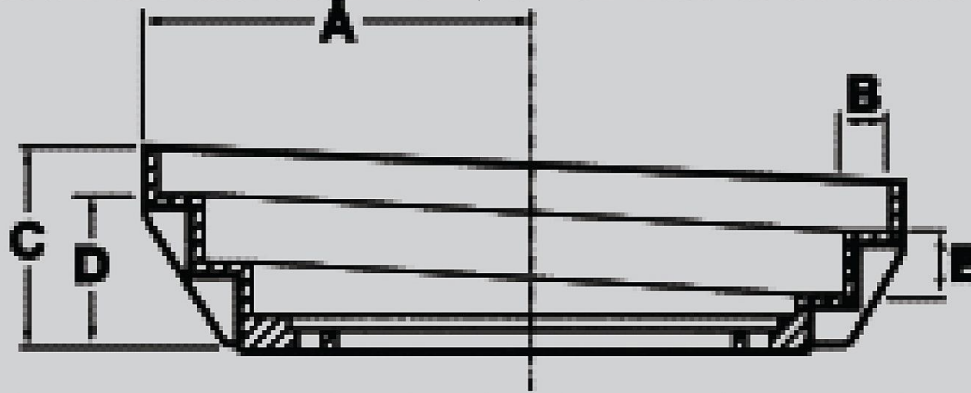
模型 Model	NB-1	NB-2	NB-3	NB-4	NB-5	NB-6	NB-7	NB-8	NB-9
尺寸 Dimension									
A(mm)	133	202	208	240	335	372	335	449	449
B(mm)	18	20	20	8	50	15	15	50	50
C(mm)	55	90	115	150	160	220	190	180	190
D(mm)	47	77	111	138	153	169	180	172	167
E(mm)	25	32	32	40	68	71	68	70	70
容量 Capacity(Ltrs)	0.5	2	2	2	10	10	10	20	20

## 等分盘

### Stepped Bowl

Stepped bowls have a larger feeding track width and are particularly suited to pre-orientation of components. The capacity is larger than that of a cylindrical bowl. A further advantage is that the components do not jam in the tracks.

All stepped bowls are cast aluminum, which need to be coated.



模型 Model	SB-1	SB-2	SB-3	SB-4	SB-5	SB-6	SB-7	SB-8	SB-9	SB-10	SB-11	SB-12	SB-13	SB-14
尺寸 Dimension														
A	101	115	160	140	160	200	267	229	270	335	305	381	381	440
B	10	10	20	19	20	32	32	25	32	50	38	50	75	50
C	60	80	90	72	95	125	152	129	150	190	159	192	152	220
D	53	64	70	38	75	90	110	102	110	140	110	140	105	155
E	25	34	32	25	30	40	50	51	50	65	55	110	102	77
Capacity(Ltrs)	0.3	0.5	1	0.8	1	2	7	2	7	10	7	18	15	25

U涂层：PU涂层具有耐磨性、高弹性，可以减小噪声和保护物料破坏。

**Coating:** Coating minimises the wear and tear of the bowl, reduces noise and damage to components. The coating material can be selected according to the application.

**Slot Sensors:** Slot sensors are mainly used for the recognition of components for minimum/maximum level control on an accumulating and linear track.

### 直线送料器 Linear drivers

直线送料器是将排列好了的产品呈直线运动的方式输送的振动源。

As parts discharge from a vibratory bowl feeder, it is important to maintain feed rate as parts convey horizontally to their next processing point. The design of the Linear Drive provides ample power to handle a wide range of linear tracks. Tuning is made simple due to the substantial base weight relative to the weight of the conveying track.