

HUILIDE 汇利得



苏州汇利得机械有限公司

地址：苏州市相城区北桥街道北灵路555号 邮编：215144

电话：+86-0512-80813856 传真：+86-0512 80813855

手机：+86-150 0613 9272 邮箱：david.su@hldmachine.com

邮编：215144 网址：www.hldmachine.com

David Su

Suzhou Huilide Machine Co.,Ltd.

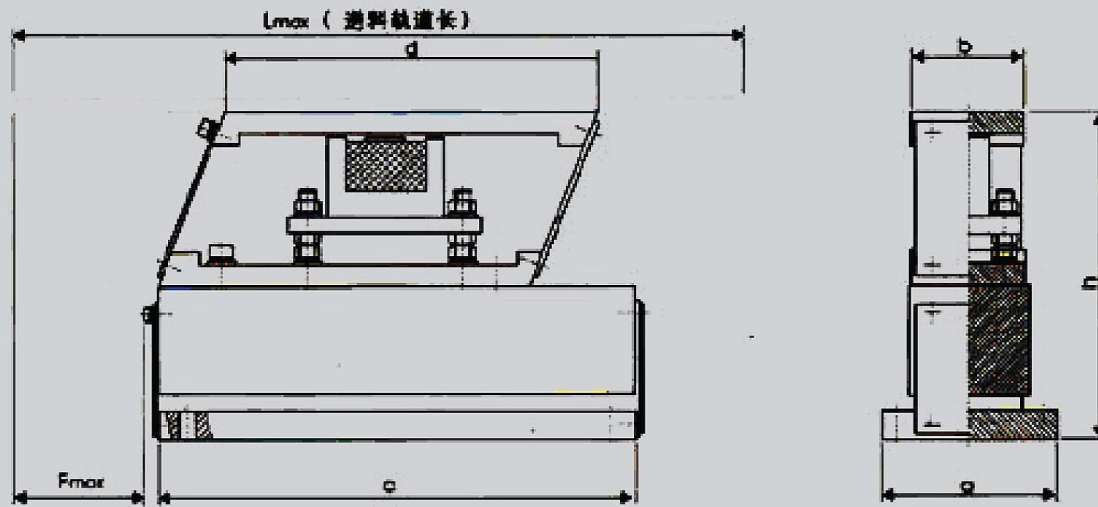
Add: No.555,Beiling Rd.,Beiqiao Suzhou, Jiangsu, China,215144

Tel: +86-0512-80813856 Fax: +86-512 80813855

Mobile : +86-150 0613 9272

E-mail: david.su@hldmachine.com

Web:www.hldmachine.com



模型 Model	L_{\max} (mm)	a(mm)	b(mm)	c(mm)	d(mm)	h(mm)	f_{\max} (mm)	双振幅 stroke(mm)
LD-01	300	35	30	140	115	85	100	0.1
LD-02	450	100	60	152	124	150	160	0.2
LD-03	550	100	60	270	210	170	200	0.3
LD-04	900	150	75	480	550	270	250	0.3

2. 滚筒式给料机

Drum feeder

外形简单的零部件和薄型零部件输送方面滚筒式送料器有简单、易用、成本低的特点，而且同样稳定高效。

Drum feeders are perfect for parts that are relatively small and easily oriented. Parts are brought out of the drum on the linear tooling, which also hold parts in back-pressure to serve as a buffer. Other features are as follows:

- low cost**
- very small footprint**
- quiet operation with long-life tooling**
- high-level sensor on linear tooling standard**
- available options include loading chute, dual lane output, drum-low sensor, and more.**

