

HUILIDE 汇利得



苏州汇利得机械有限公司

地址：苏州市相城区北桥街道北灵路555号 邮编：215144

电话：+86-0512-80813856 传真：+86-0512 80813855

手机：+86-150 0613 9272 邮箱：david.su@hldmachine.com

邮编：215144 网址：www.hldmachine.com

David Su

Suzhou Huilide Machine Co.,Ltd.

Add: No.555,Beiling Rd.,Beiqiao Suzhou, Jiangsu, China,215144

Tel: +86-0512-80813856 Fax: +86-512 80813855

Mobile : +86-150 0613 9272

E-mail: david.su@hldmachine.com

Web:www.hldmachine.com

4. 阶梯给料器

Step feeder

排序圆形且对称的物料阶梯给料机是一个比较理想的给料机。譬如：螺丝、圆环、盖子等等。这些物料可以在阶梯上分离开，在后面的给料机构里进行定向和排序。

Step feeders are ideal for the sorting and feeding of rotationally symmetrical parts like screws, rings, caps, etc. The parts are separated by the steps, then oriented and sorted on the subsequent feeding segment.

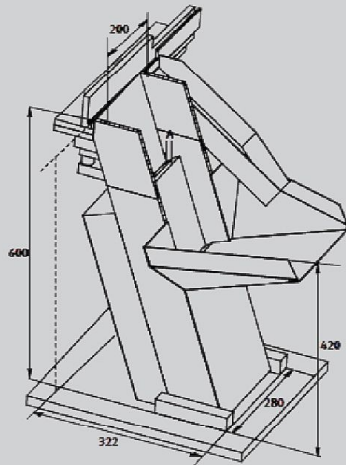
a. Variable step depth

b. Easy setup

c. Fast and easy commissioning

d. Economical maintenance

Model	Step depth(mm)	Step wide(mm)	Number of step	Outlet high(mm)	Funnel capacity(dm ³)	drive	Weight (kg)	Sorting rail(mm)
SF200	10/15/20	200	2	600	5	motor	50	200-1000



4. 自动送料仓

Bulk Supply hopper

自动送料仓是用来给振动盘自动提供物料的，其给料速度可调。

Vibratory supply hoppers are designed for the controlled feeding of bulk parts into bowl feeders. The vibrating tray under the bin is turned on and off by a paddle switch or other sensor in the bowl. The feed rate is set by adjusting the door opening in the bin and adjusting the amplitude of the vibrating tray (which is regulated by the controller).

